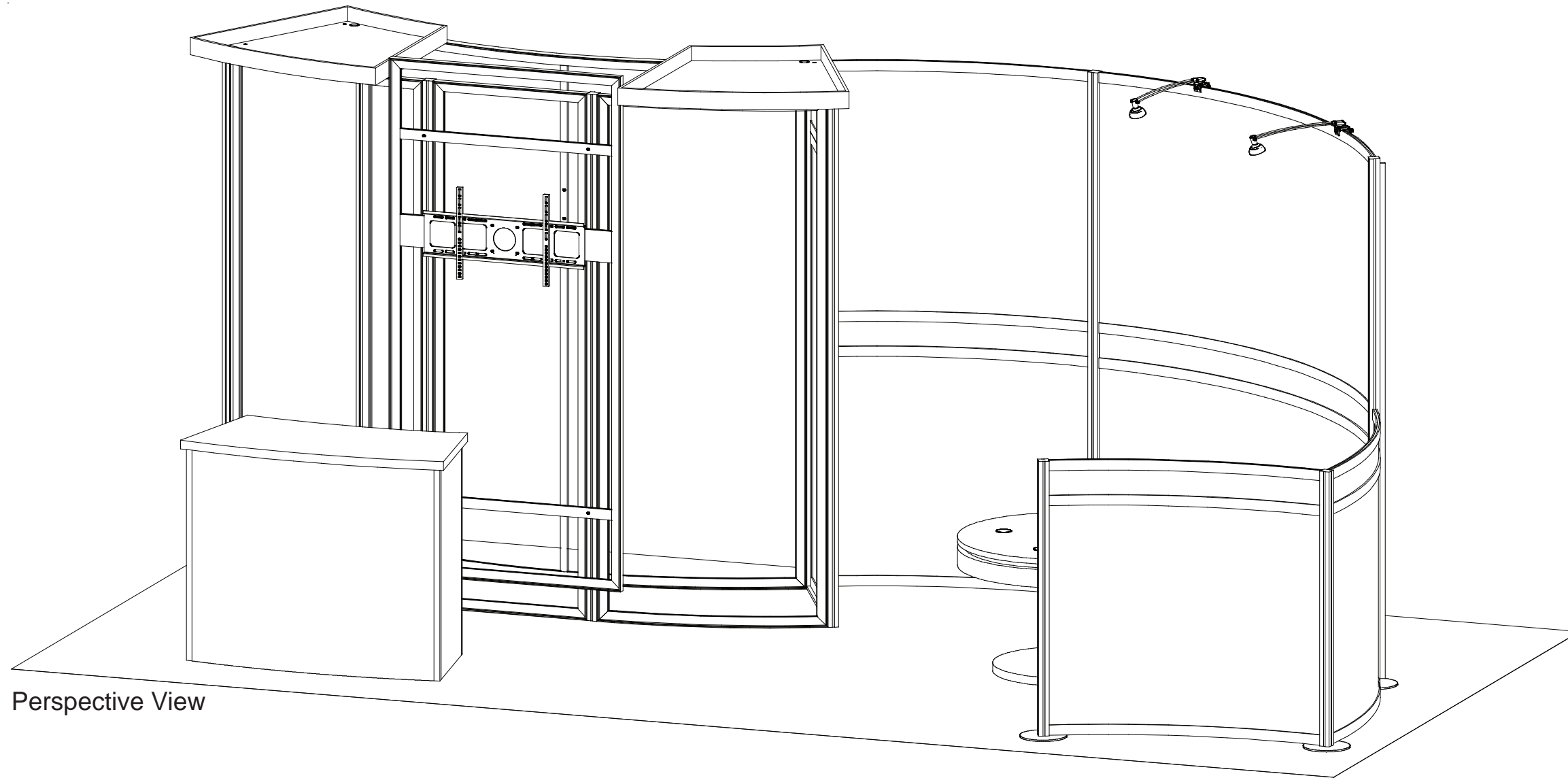
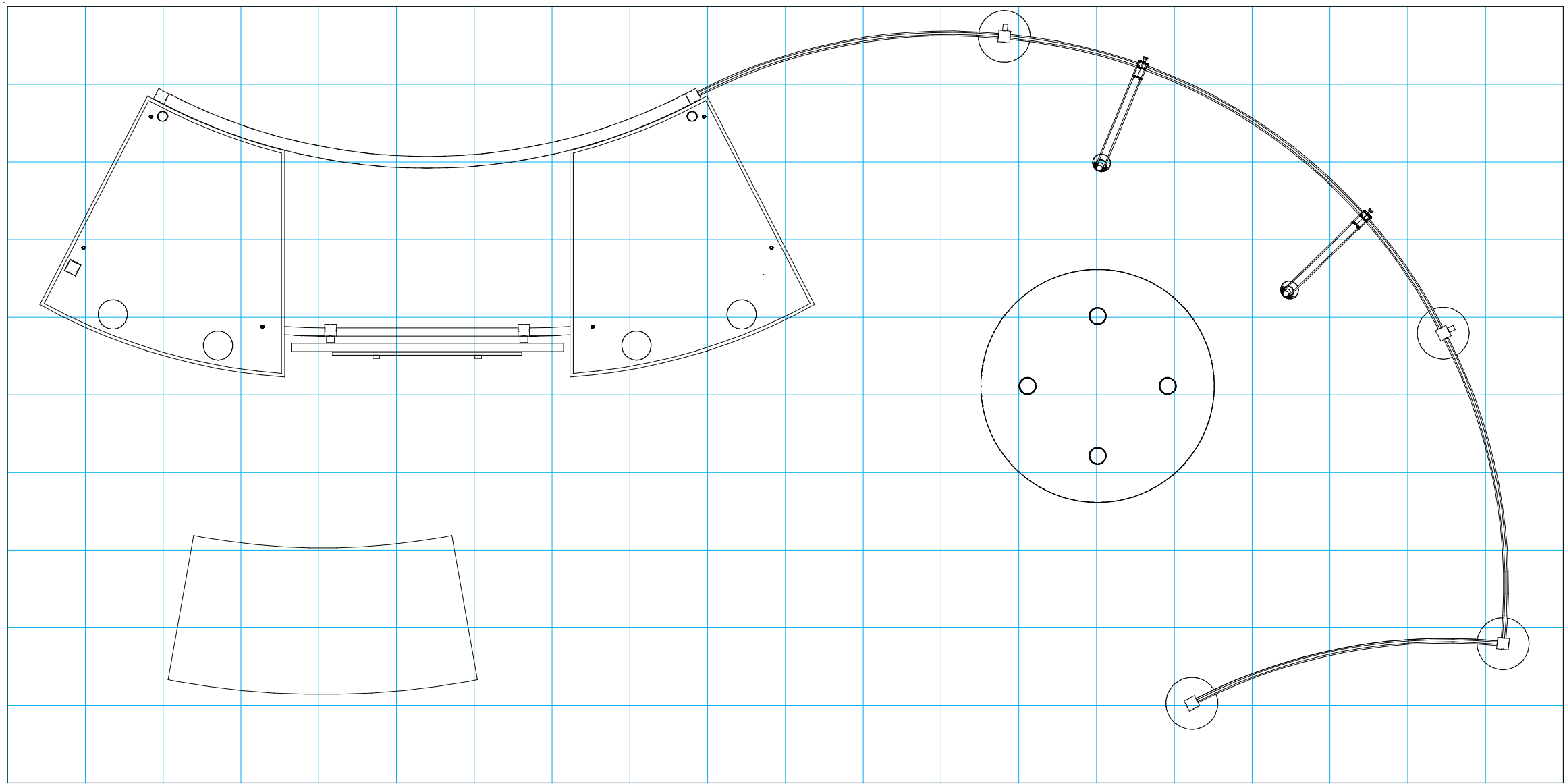



Top View



Perspective View



 = 1 sq foot

General Setup Instructions

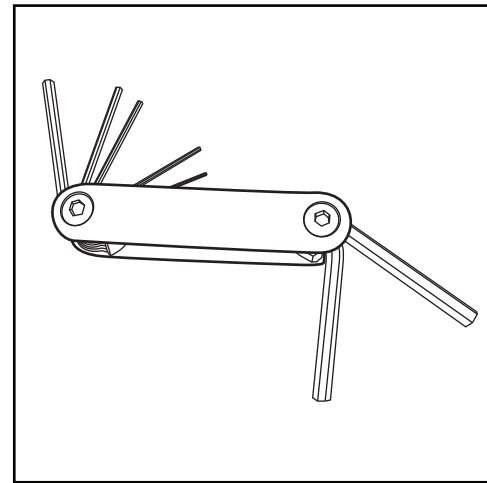
- Read entire setup instruction manual prior to unpacking parts and pieces.
- The setup instructions are created specifically for this configuration.
- Setup instructions are laid out sequentially in steps, including exploded views with detailed explanation for assembly.

Cleaning & Packing

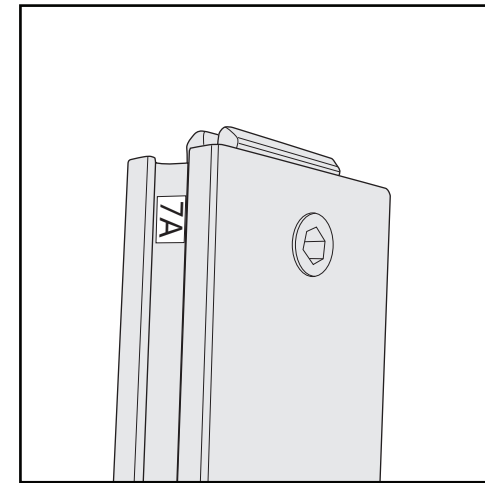
- For Cleaning Metal, Plex, & Laminate Parts: Use a **MILD NON-ABRASIVE** cleanser and soft cloth/paper towel to clean all surfaces.
- Keep exhibit components away from heat and prolonged sun exposure. **Heat and UV exposure will warp and fade components.**
- Retain all provided Packing Materials. All provided packing materials are for ease of repacking & component protection.

Disassembly

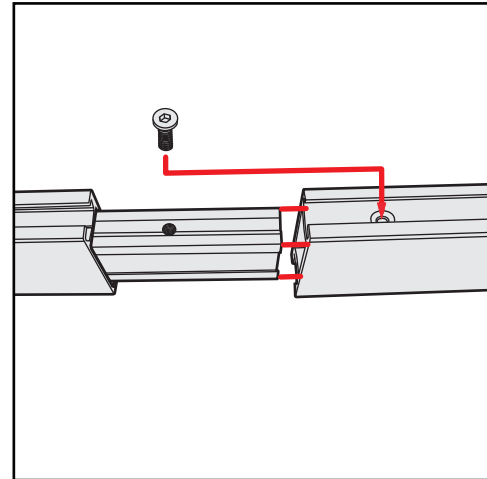
- For loss prevention, tighten all set screws and locks during disassembly.



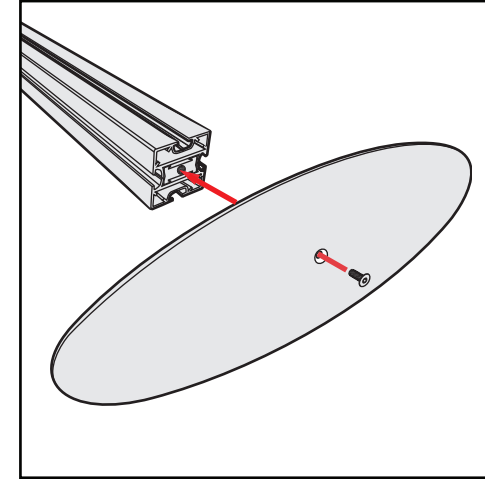
Hex Tool - Essential for Assembly



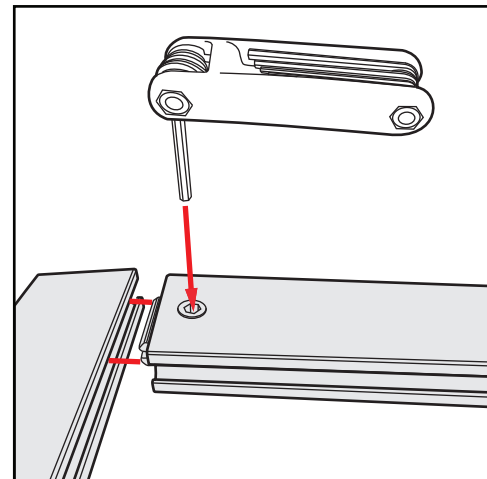
Part Identification - Numbering



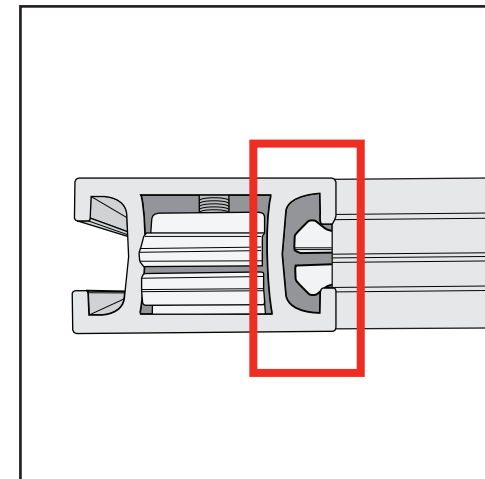
Spline Connection



Base Plate & Extrusion Connection



Extrusion & Lock Connection



Engaged Lock



WARNING



DO NOT USE POWER TOOLS



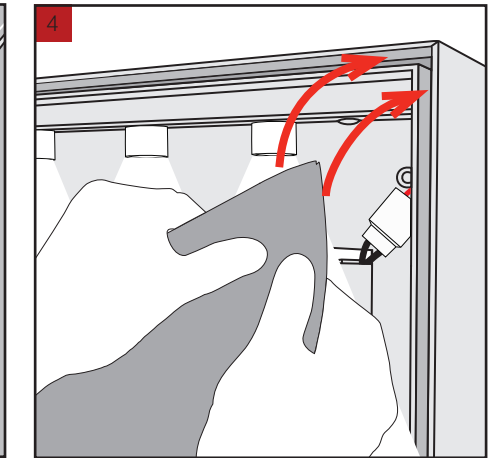
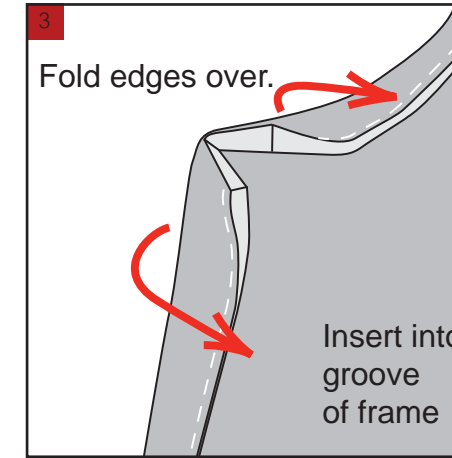
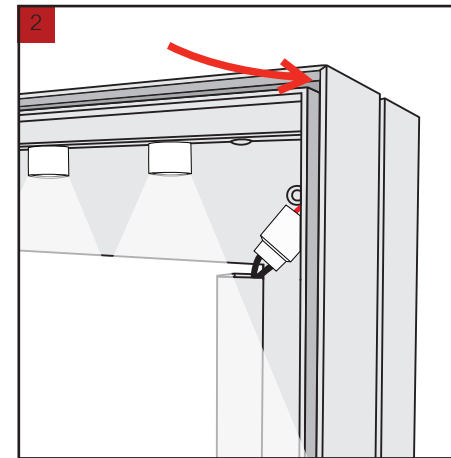
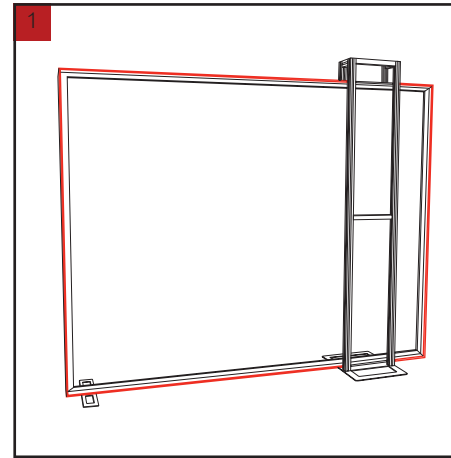
LADDERS OR LIFTS
MAY BE REQUIRED



ALL CONNECTIONS MUST
BE TIGHTLY SECURED

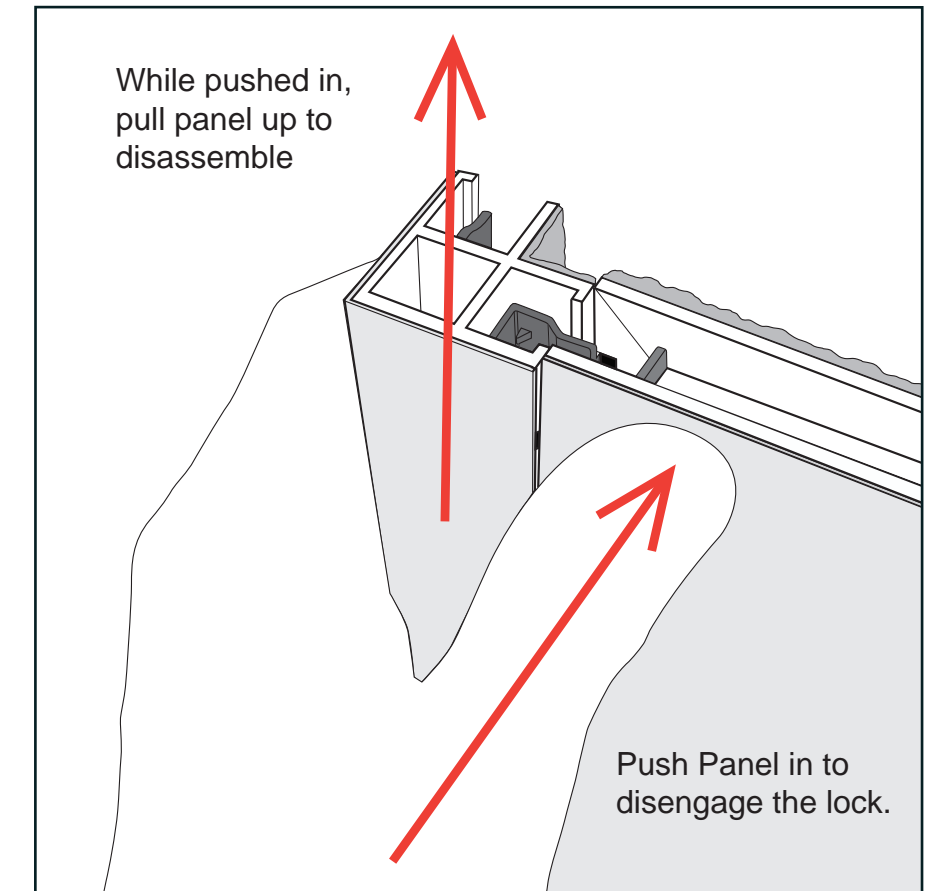
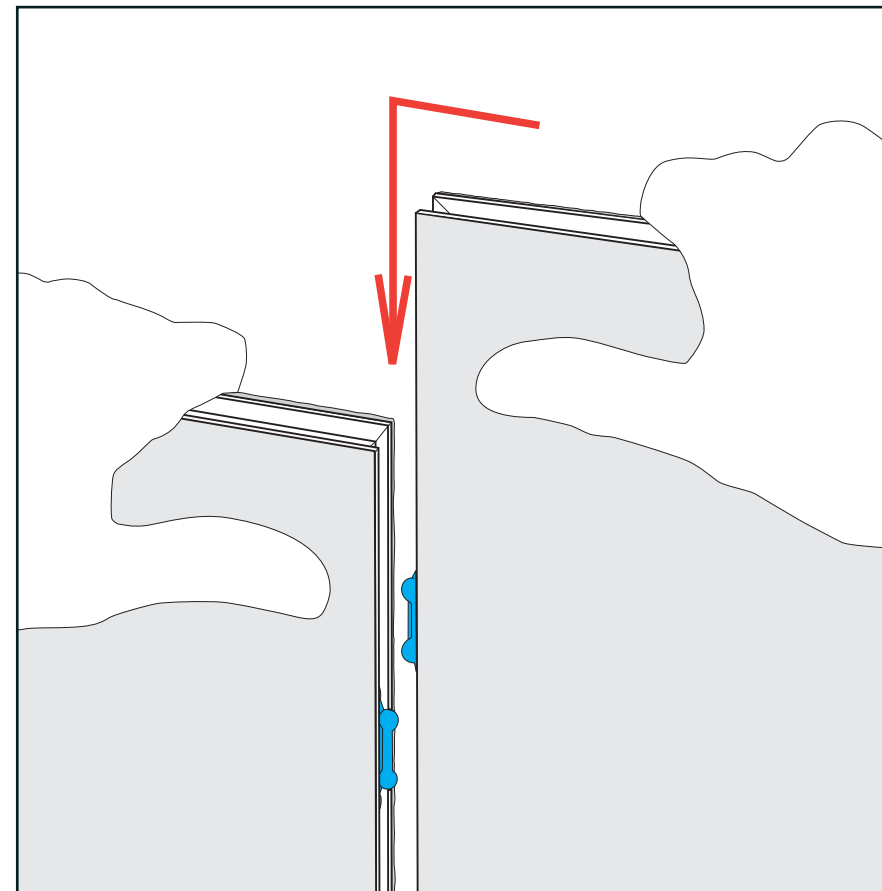
SEG Graphic Installation

- 1) Locate channels along the edges of extrusions
- 2) Insert graphic corners first into channels then center point of graphic into channels. Allows for proportional fit around the perimeter of the extrusion.
- 3) Working from center to corner, slide silicon edge on graphic into channel.
- 4) After all edges of graphic have been inserted into channels, step back and assess graphic fit, make adjustments where needed.



LT Panel Assembly

- 1) With a vertical offset, place LT-Panels side-by-side; slide vertically offset panel down to lock panels together and in place.
- 2) Corner Connectors (90°, T-Connector, Straight Connector) connect just as panels connect together. Repeat Step 1 for installing corner connectors to panels.



LT Panel Disassembly

- 1) To disassemble push panel with upper locks horizontally to disengage top lock clip.
- 2) Slide panels or connectors vertically in opposing directions to release latches and disconnect parts.

ROLLING GRAPHICS

ATTENTION: Please keep all packing material for graphics such as Tubes, Boxes and Bags.
Loss off these items could result in Damage to the graphic.



When Graphic has been removed from display, please Roll Graphic back on provided Cardboard Tube.

Not Rolling the graphic could result in Wrinkles and ink creases in the graphic.

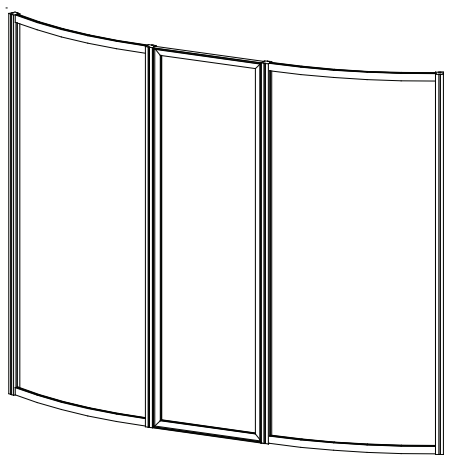
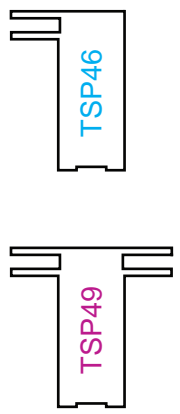
Steam when needed.

Item	Qty.	Description
1,1A	1,1	92" TSP46 Vertical Extrusion
2,2A	1,1	39.7375" TSP46 Curved Horizontal Extrusion
3,3A	1,1	92" TSP46 Vertical Extrusion
4,4A	1,1	28" TSP46 Curved Horizontal Extrusion
5	1	92" S44 Vertical Extrusion
6	1	92" S44 Vertical Extrusion
7	1	92" S44 Vertical Extrusion
8	1	92" S44 Vertical Extrusion
9,9A	1,1	92" TSP49 Vertical Extrusion
10,10A	1,1	84.4392" TSP49 Curved Horizontal Extrusion
11	1	92" S44 Vertical Extrusion
12	1	92" S44 Vertical Extrusion
13	1	88.417" Z33 Vertical Extrusion

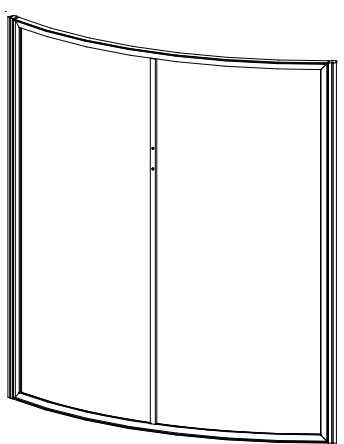
Steps:

Assemble frames flat on floor, then raise upright to attach verticals [5] [6] [7] [8] [11] and [12].

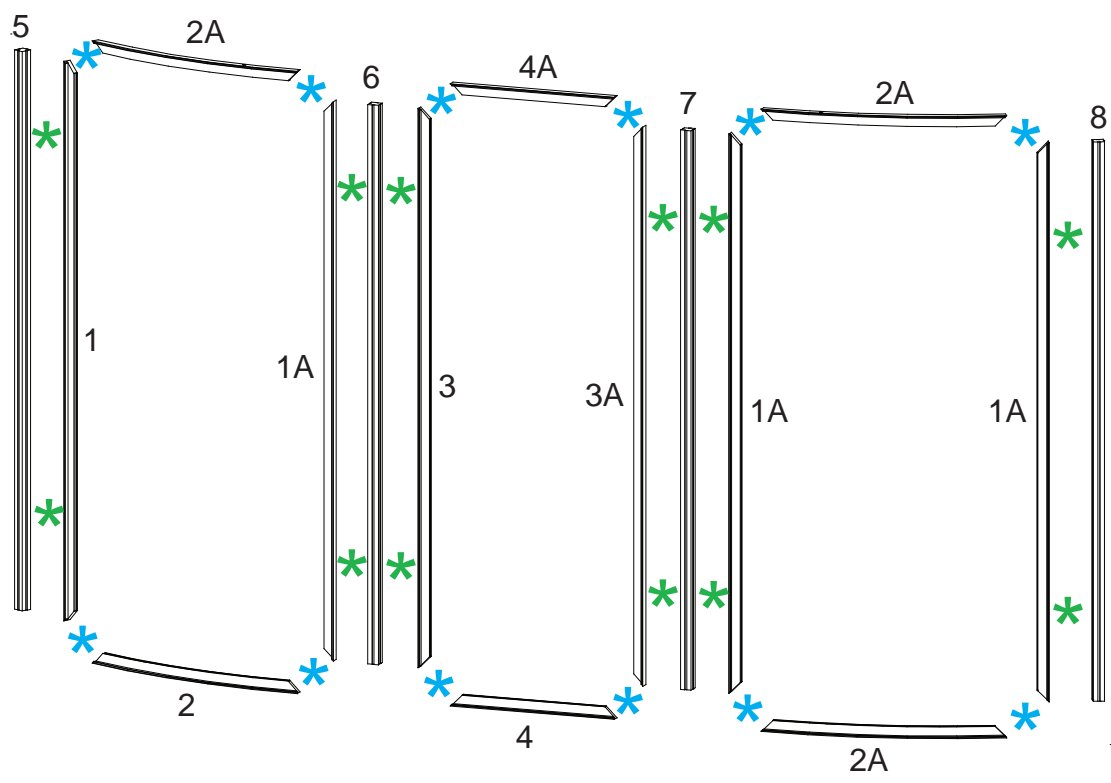
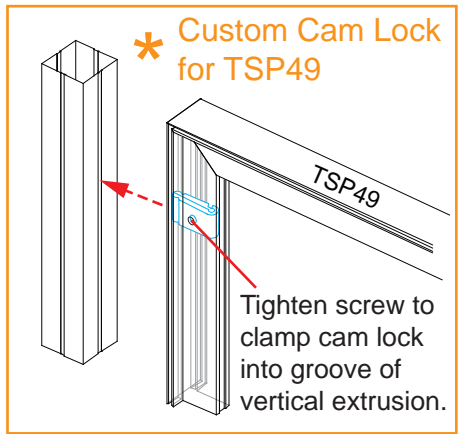
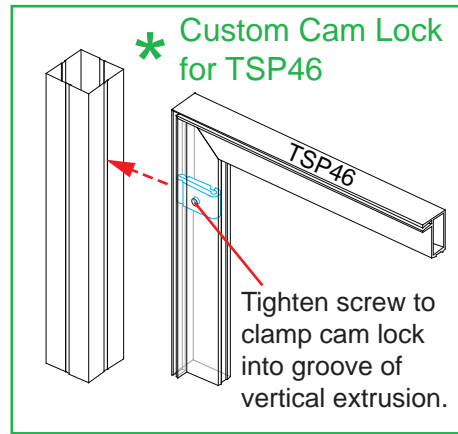
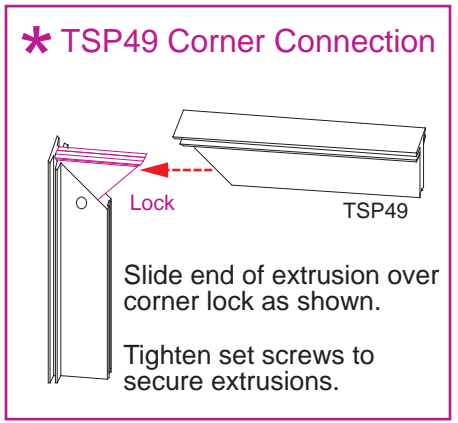
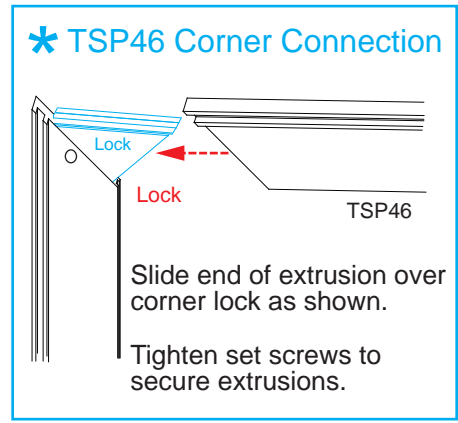
- 1) Assemble front frames as shown. See [TSP46 Corner Connection](#) detail.
- 2) Attach front frames between verticals [5] [6] [7] and [8]. See [Custom Cam Lock for TSP46](#) detail.
- 3) Assemble back frame as shown. See [TSP49 Corner Connection](#) detail.
- 4) Attach back frame between verticals [11] and [12]. See [Custom Cam Lock for TSP49](#) detail.



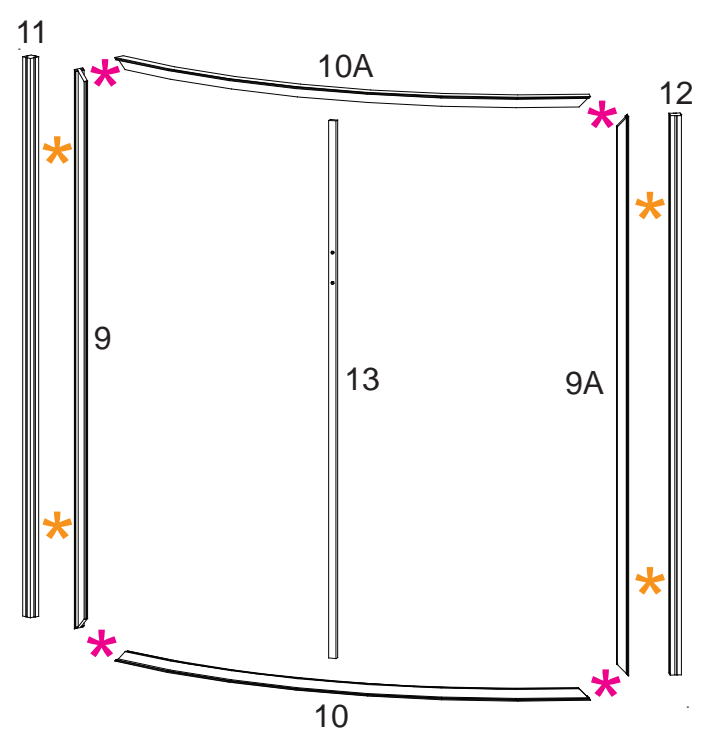
Completed Front Frames



Completed Back Frame



Front Frames

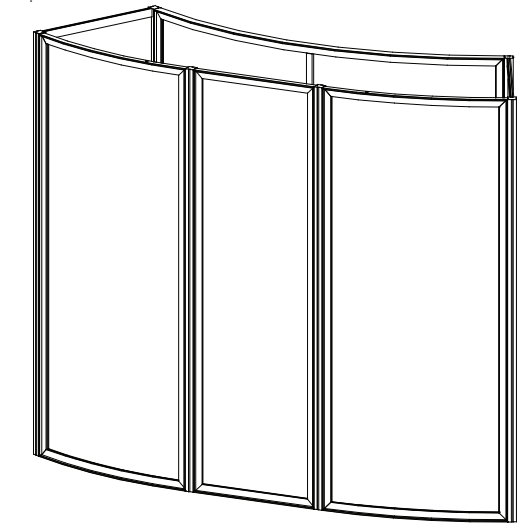


Back Frame

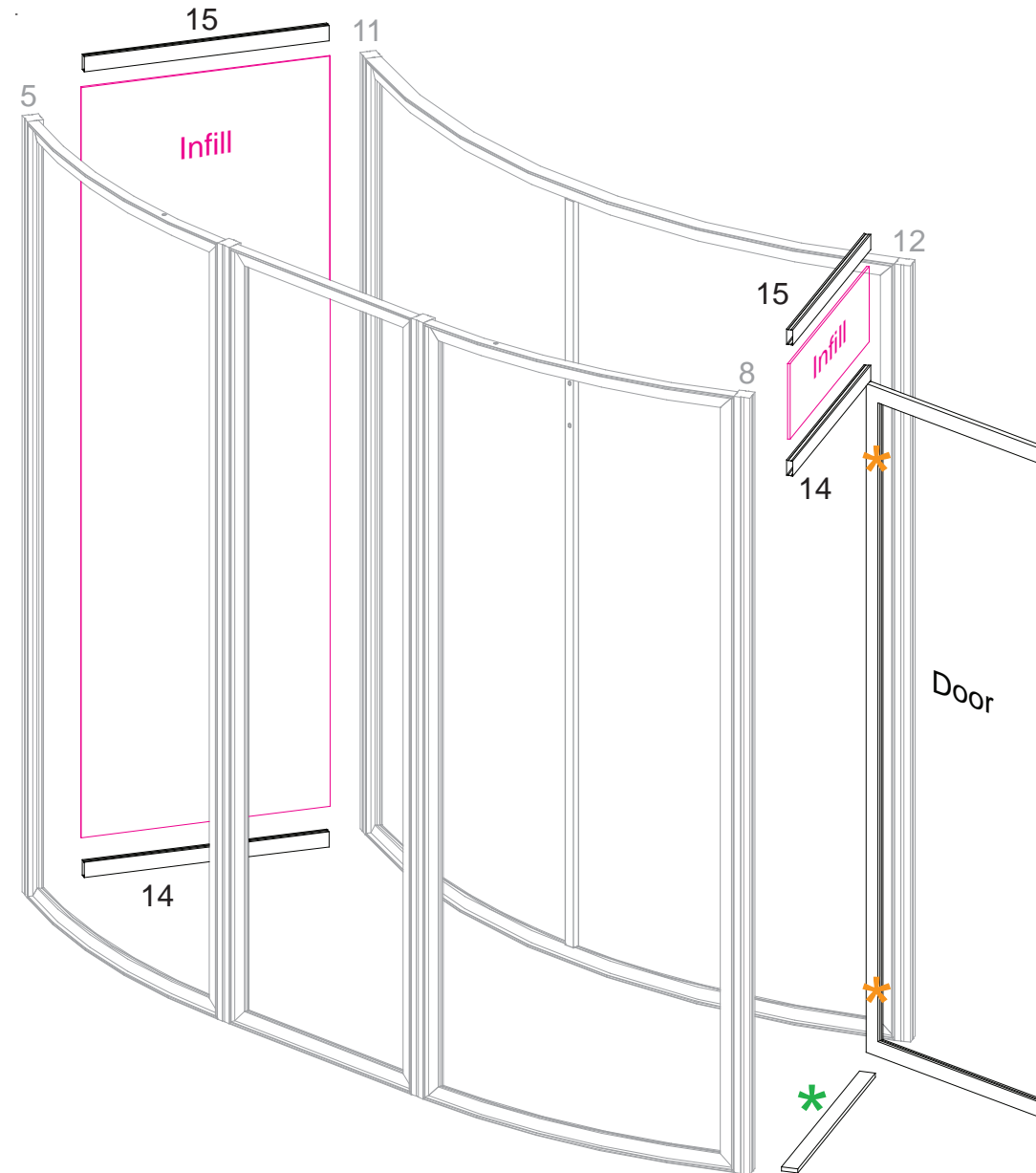
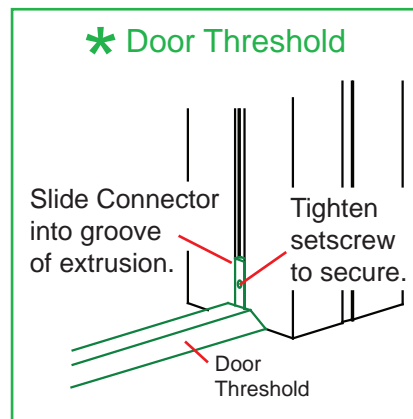
Item	Qty.	Description
15	2	28" Z45 Horizontal Extrusion
14	2	28" Z45 Horizontal Extrusion
--	1	Door Threshold

Steps:

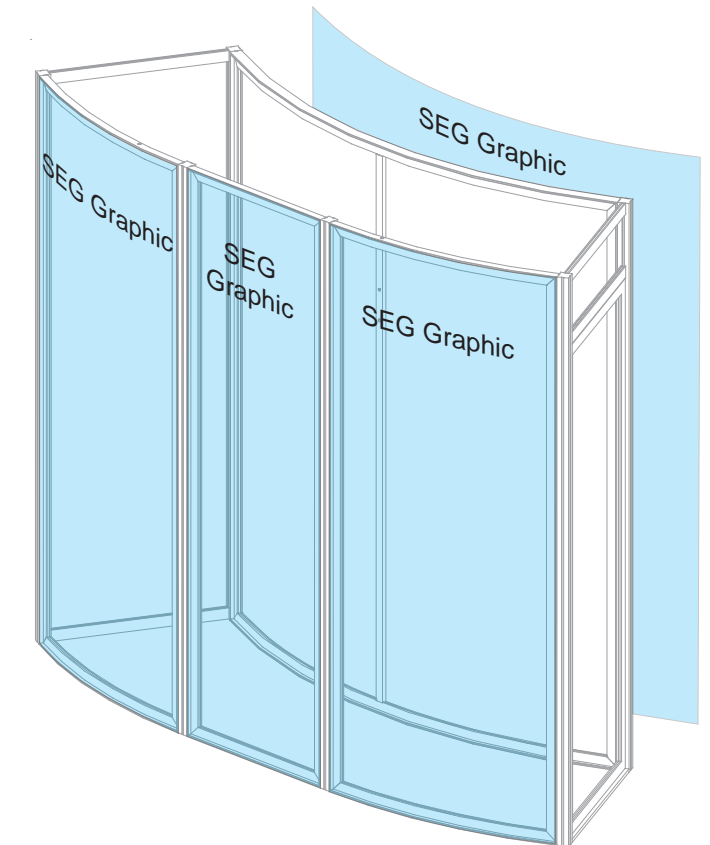
- 1) Attach door threshold between verticals [8] and [12].
See **Door Threshold** detail.
- 2) Attach horizontal [14] between verticals [5] and [11], then slide infill between verticals.
- 3) Attach horizontal [14] between verticals [8] and [12], then slide infill between verticals
- 4) Secure infills with horizontals [15].
- 5) Connect door to vertical [12]. See **Door Connection** detail.
- 6) Apply SEG graphics to front and back frames.
See SEG Graphic Installation sheet for instruction.



Completed Closet Assembly



Keep side extrusions [8] [12] [14] [15] and door assembled when packing.

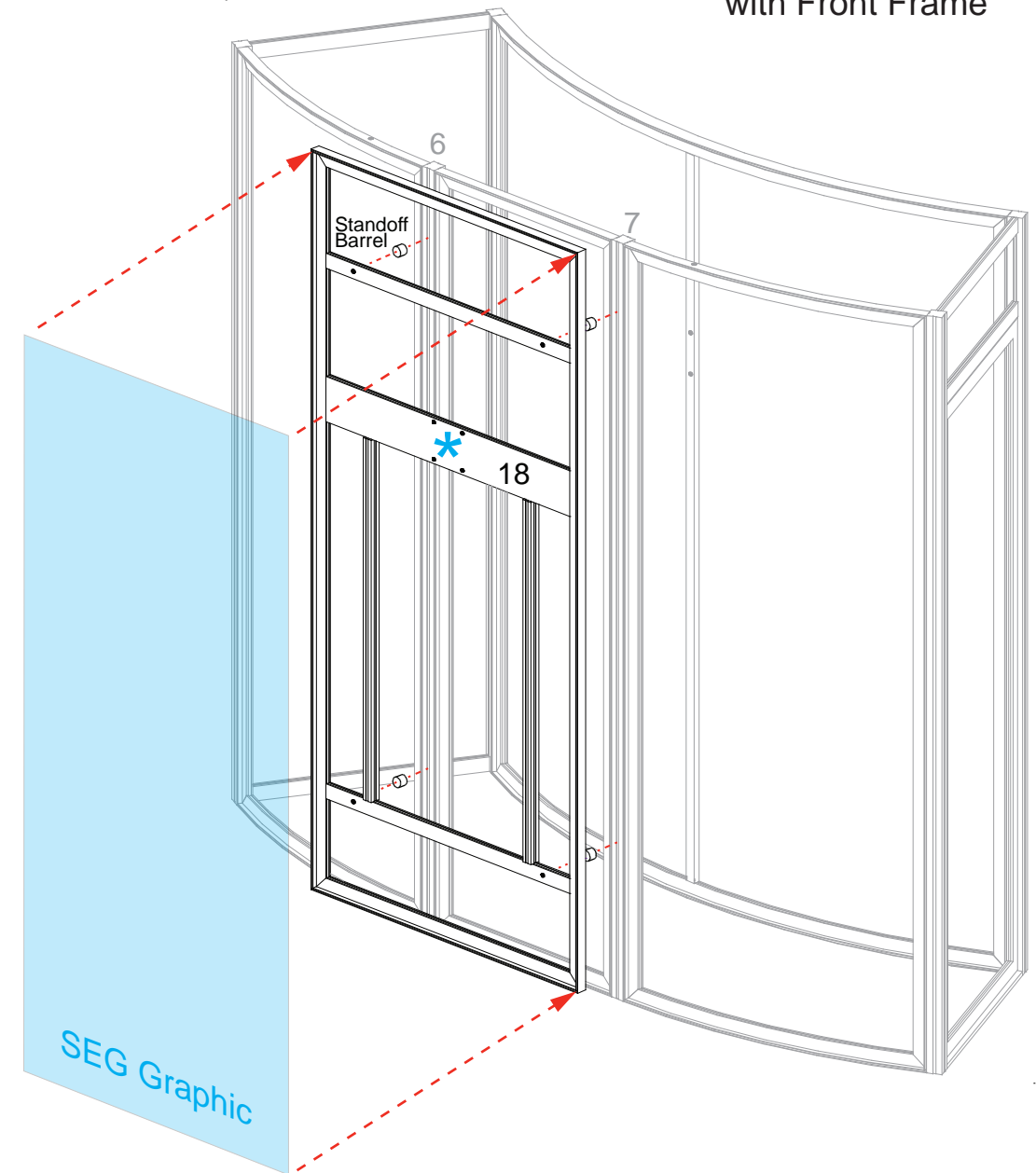
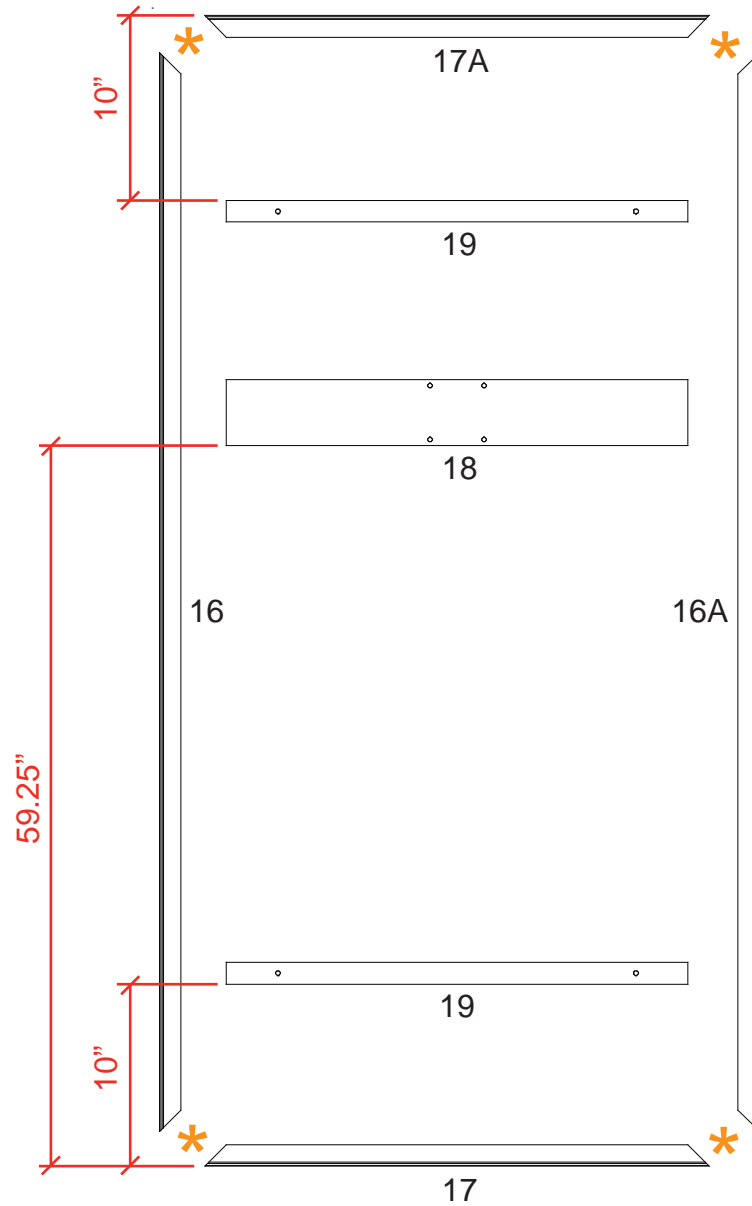
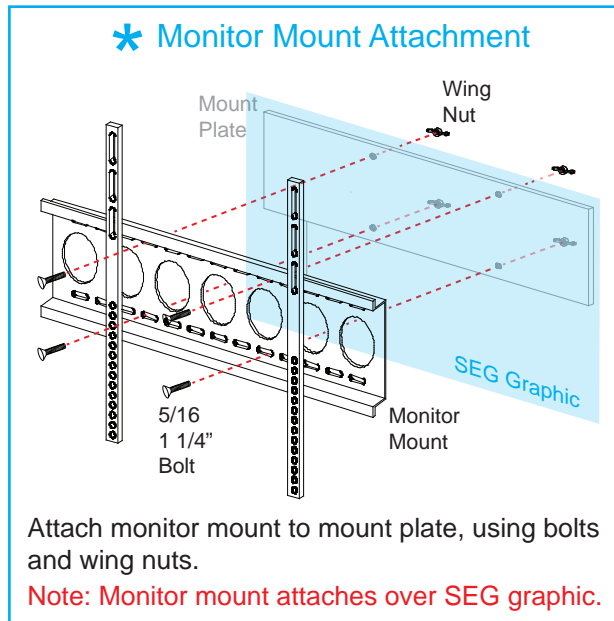
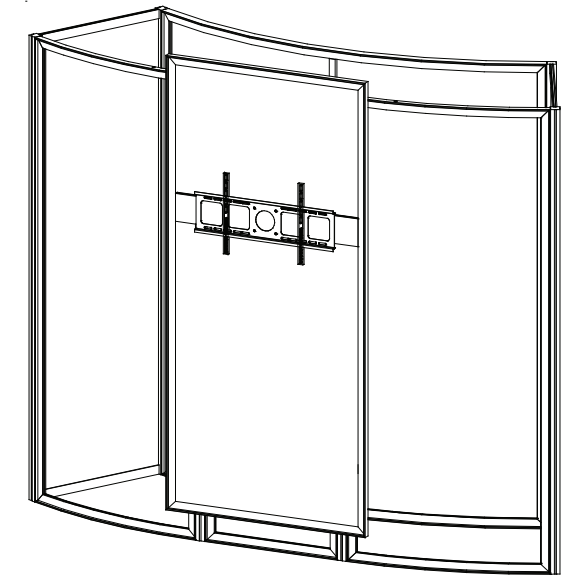
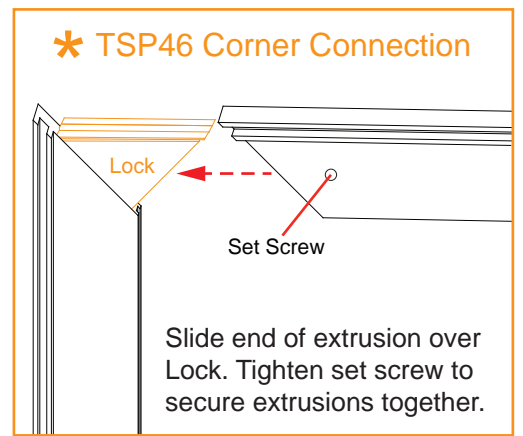


Item	Qty.	Description
16,16A	1,1	90" TSP46 Vertical Extrusion
17,17A	1,1	42" TSP46 Horizontal Extrusion
18	1,1	38.417" Z140 Horizontal Extrusion
19	1	38.417" Z45 Horizontal Extrusion

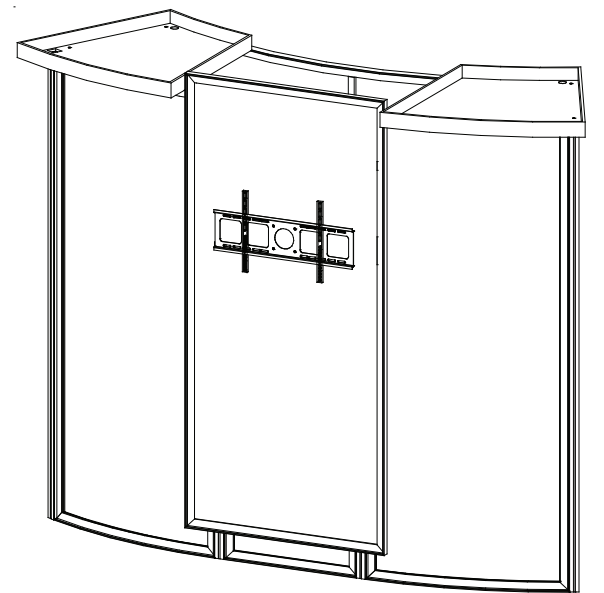
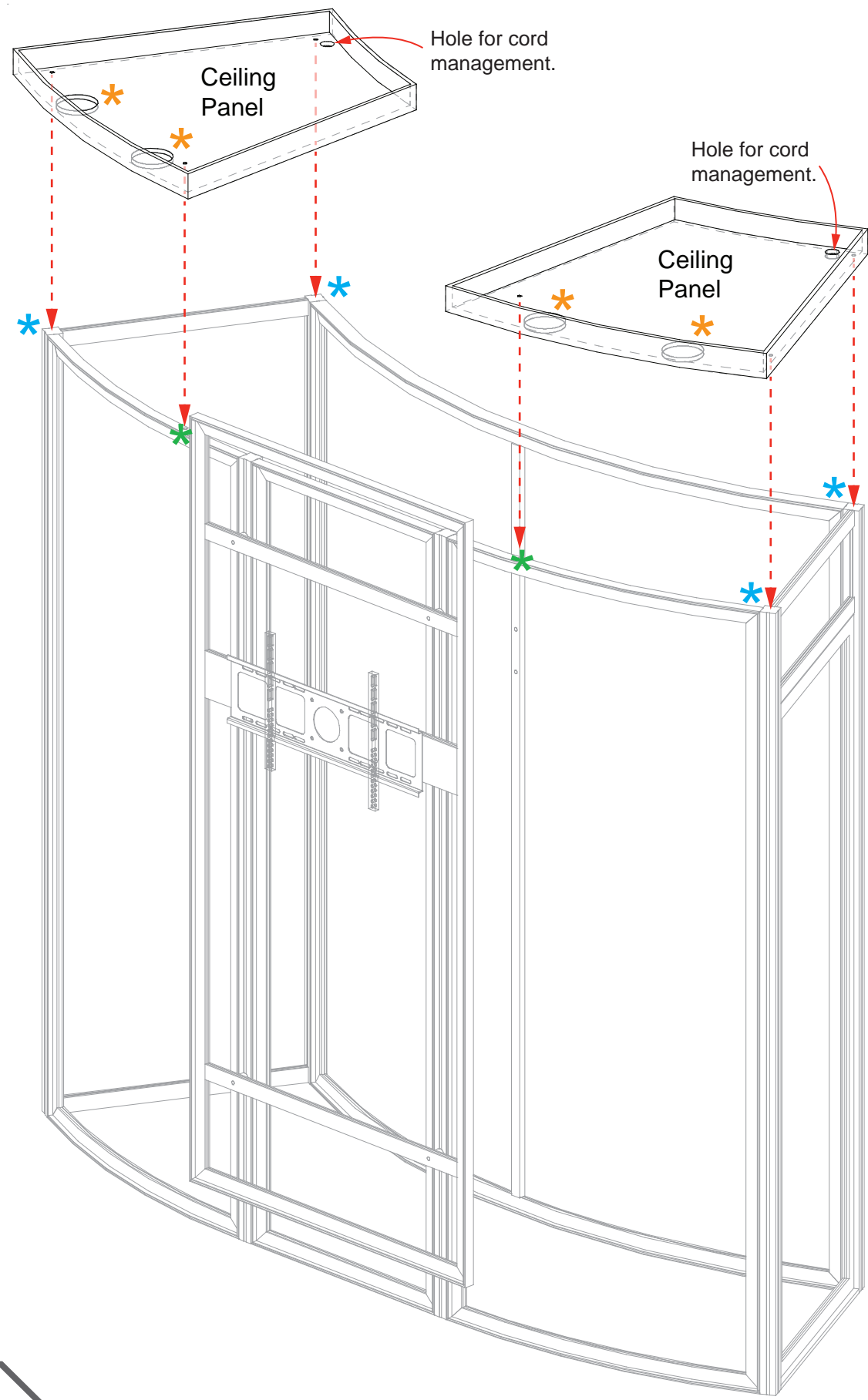
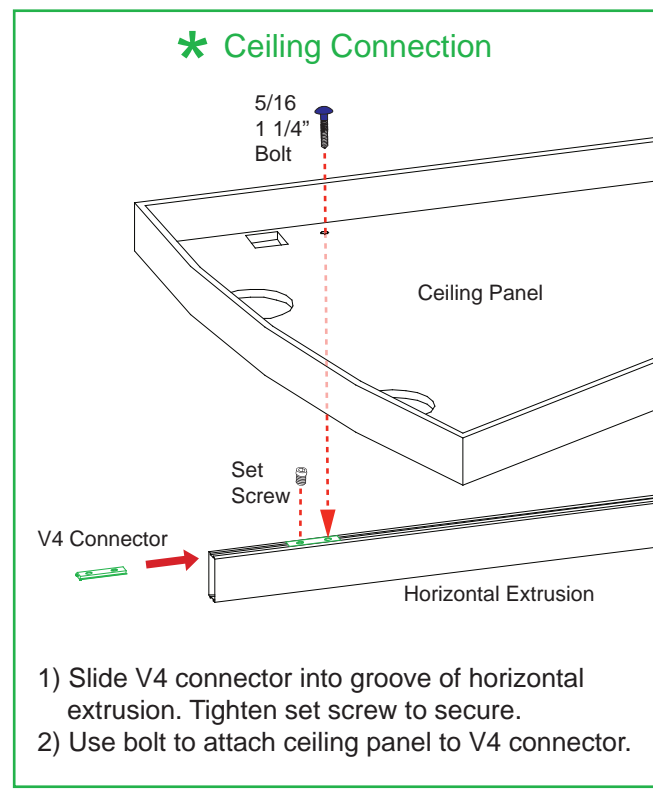
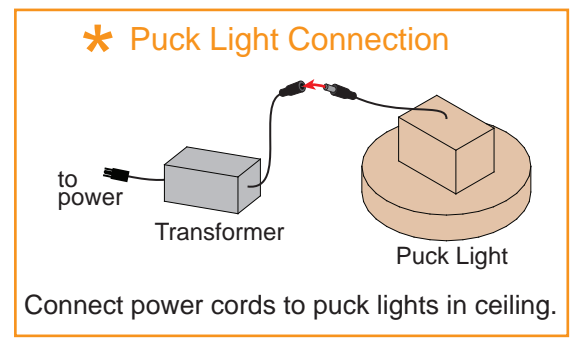
Steps:

- 1) Connect horizontals [17] and [17A] between verticals [16] and [16A]. See **TSP46 Corner Connection** detail.
- 2) Attach horizontals [18] and [19] between verticals [16] and [16A].
- 3) Attach frame assembly to closet verticals [6] and [7], using 1" standoff barrels and 5/16 - 1 1/4" bolts.
- 4) Attach monitor mount to horizontal [18]. See **Monitor Mount Attachment** detail.
- 5) Install SEG graphic to front of assembled frame. See SEG Graphic Installation sheet for instruction.

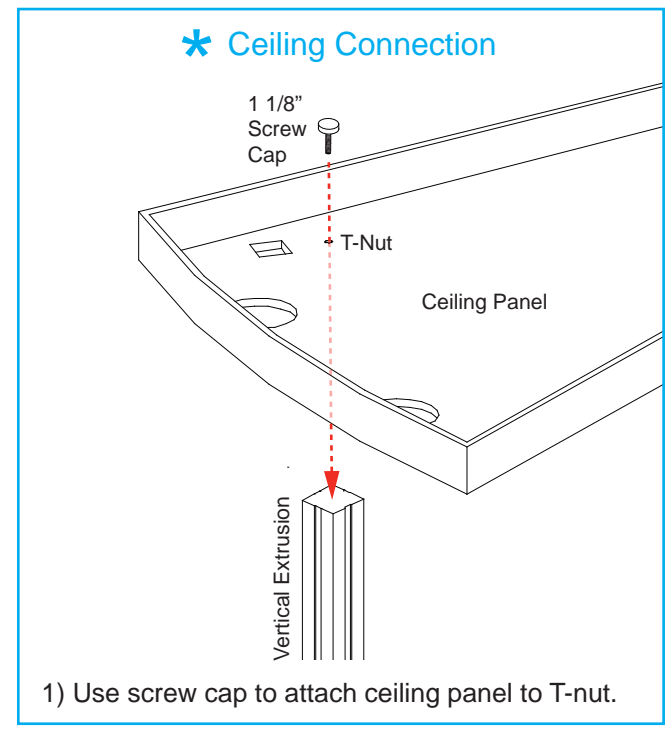
Keep front frame [16] [16A] [17] [17A] [18] and [19] assembled when packing.



- Steps:
- 1) Attach ceiling panels to top of assembled closet
See Ceiling Connection details.
 - 2) Connect power cords to puck lights in ceiling panels.
See **Puck Light Connection** detail. Use holes in ceiling panels for cord management.



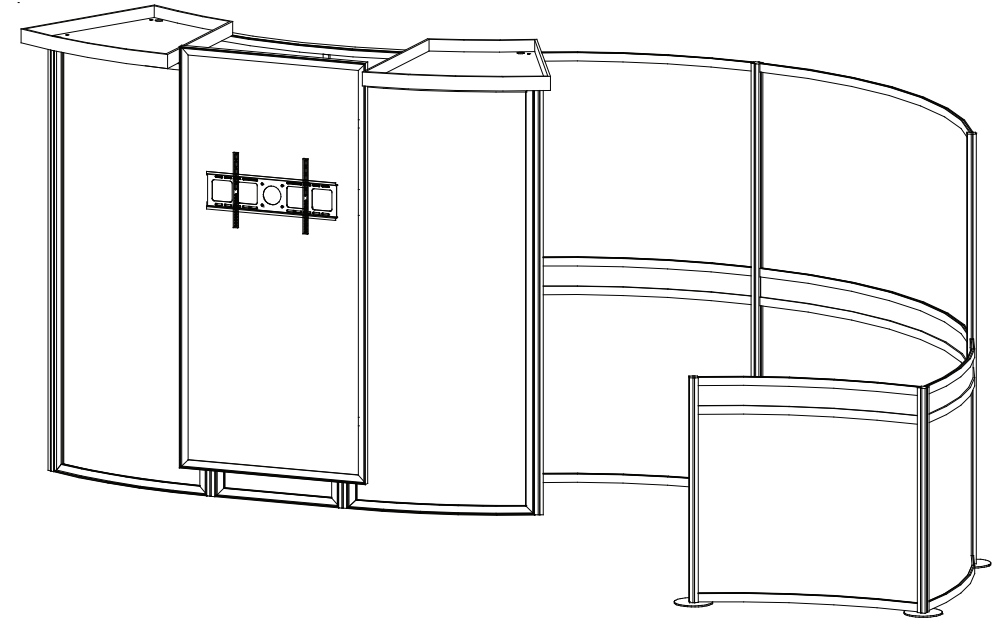
Completed Assembly



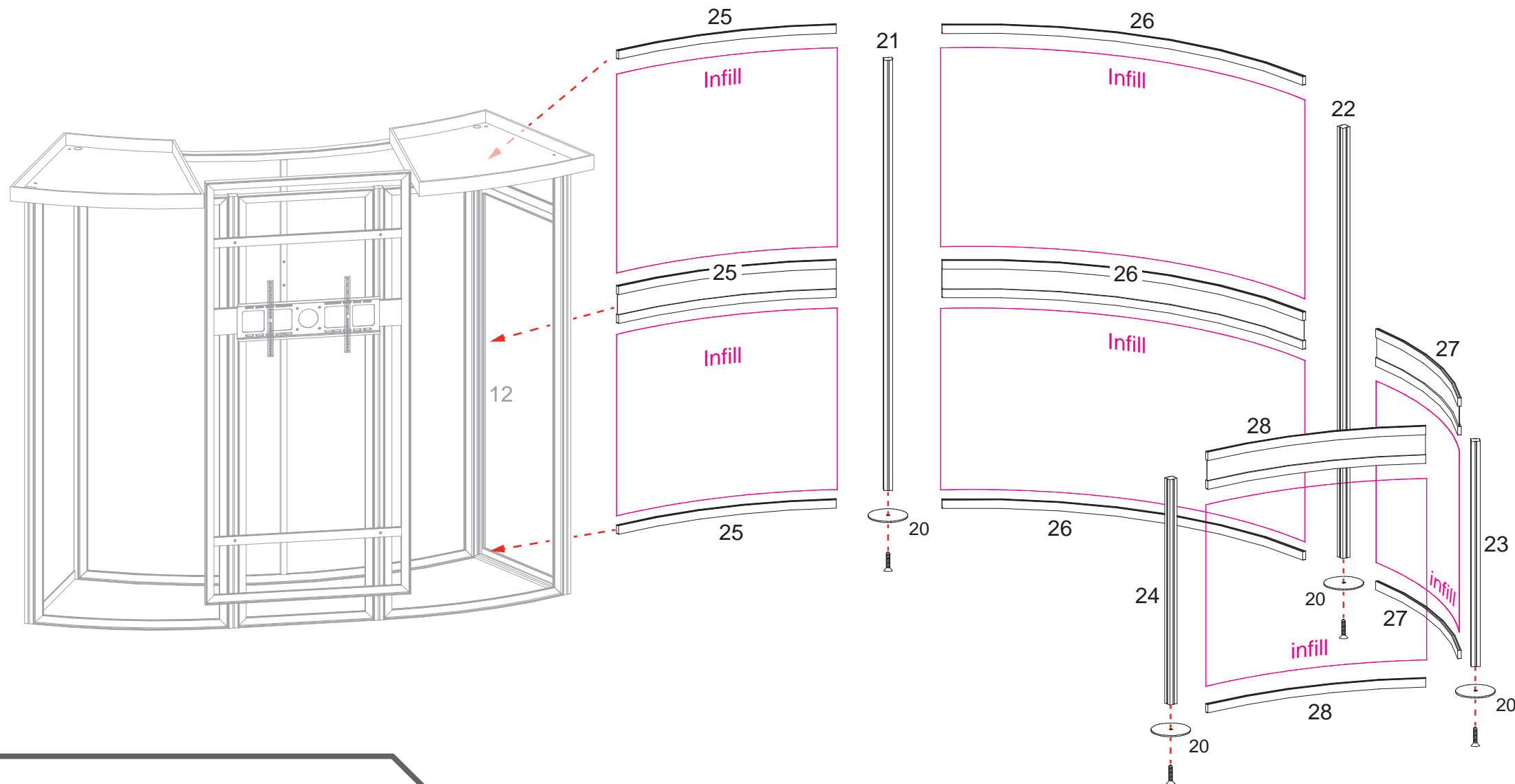
Item	Qty.	Description
20	4	Base Plate
21	1	91.75" S44 Vertical Extrusion
22	1	91.75" S44 Vertical Extrusion
23	1	48" S44 Vertical Extrusion
24	1	48" S44 Vertical Extrusion
25	4	48" Z45 Curved Horizontal Extrusion
26	4	84" Z45 Curved Horizontal Extrusion
27	3	48" Z45 Curved Horizontal Extrusion
28	3	48" Z45 Curved Horizontal Extrusion

Steps:

- 1) Attach base plates [20] to verticals [21] [22] [23] [24], using bolts.
- 2) Connect lower horizontal [25] between vertical [21] and closet vertical [12], slide infill between verticals and secure with horizontal [25], then insert infill and secure with upper horizontal [25].
- 3) Connect lower horizontal [26] between verticals [21] and [22], slide infill between verticals and secure with horizontal [26], then insert infill and secure with upper horizontal [26].
- 4) Attach lower horizontal [27] between verticals [22] and [23], slide infill between verticals, then secure with horizontal [27].
- 5) Attach lower horizontal [28] between verticals [23] and [24], slide infill between verticals, then secure with horizontal [28].

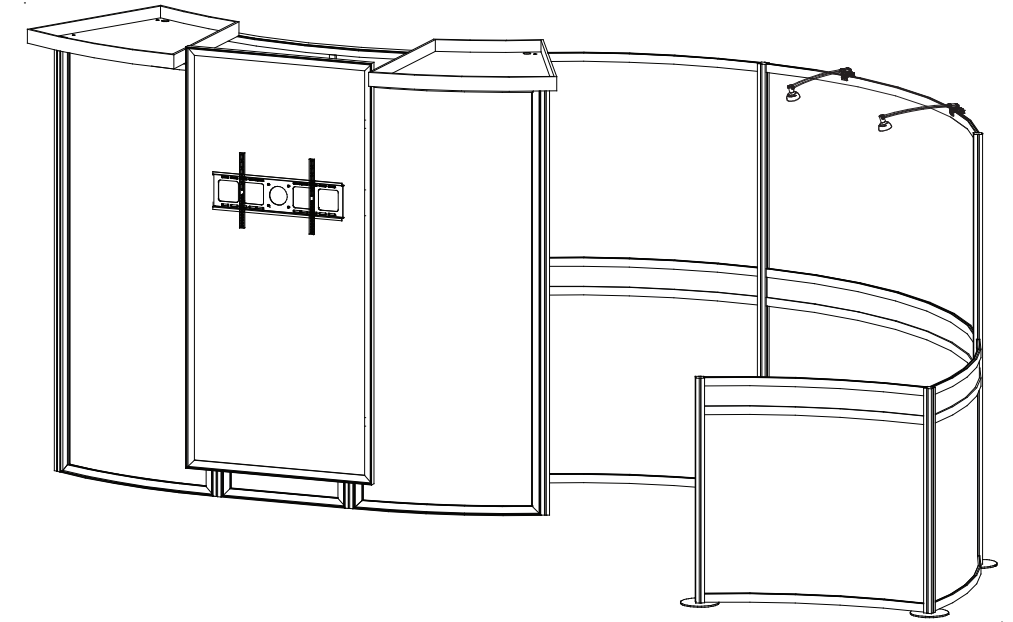
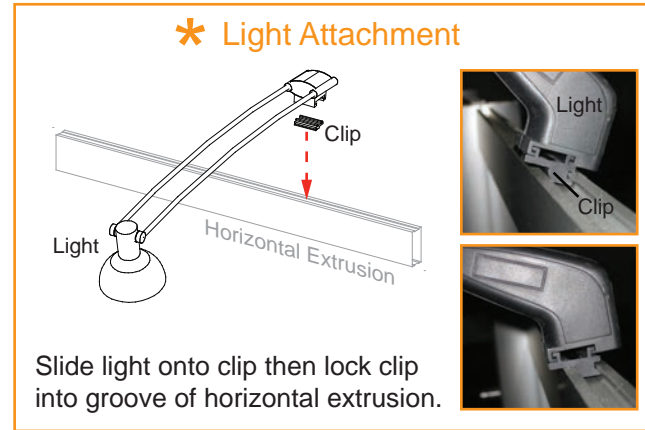


Completed Assembly

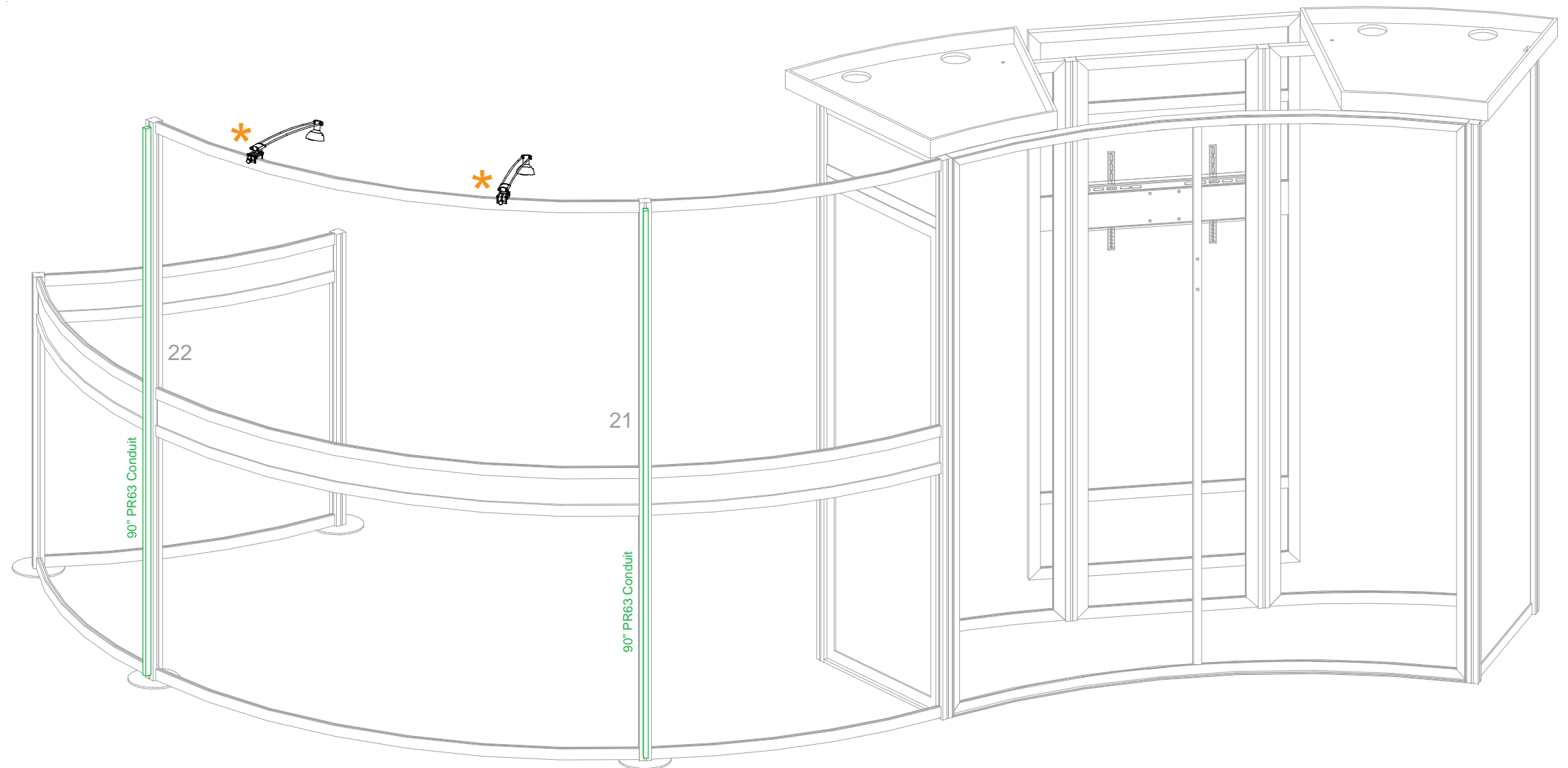
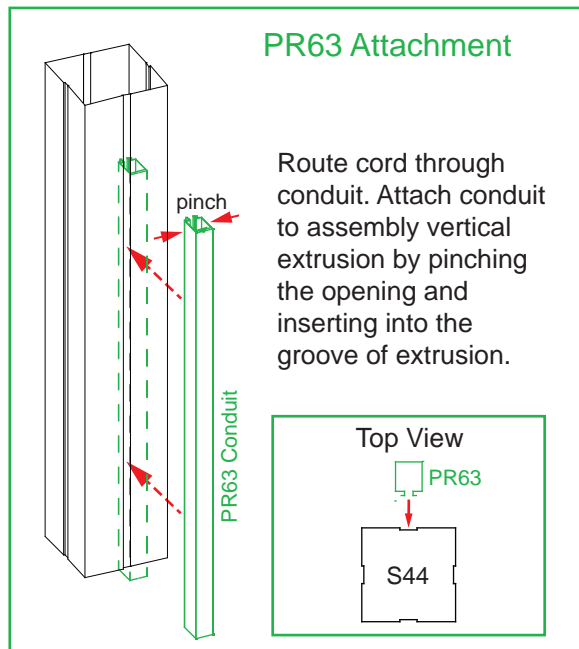


Item	Qty.	Description
--	2	90" PR63 Conduit

- Steps:
- 1) Attach lights to top of curved wall. See **Light Attachment** detail.
 - 2) Attach PR63 conduit to verticals [21] and [22] for cord management. See **PR63 Attachment** detail.

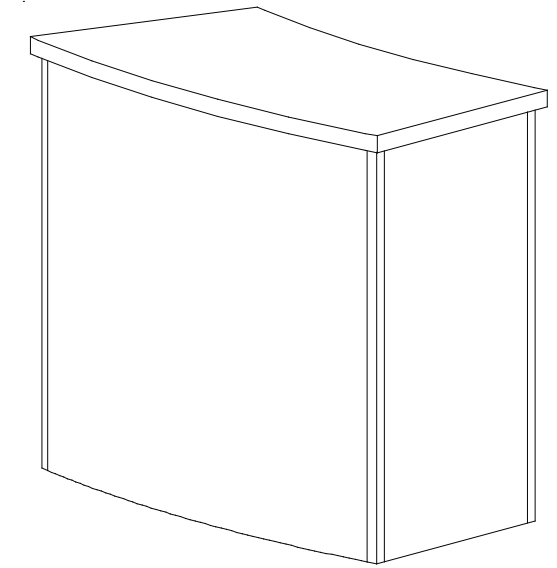
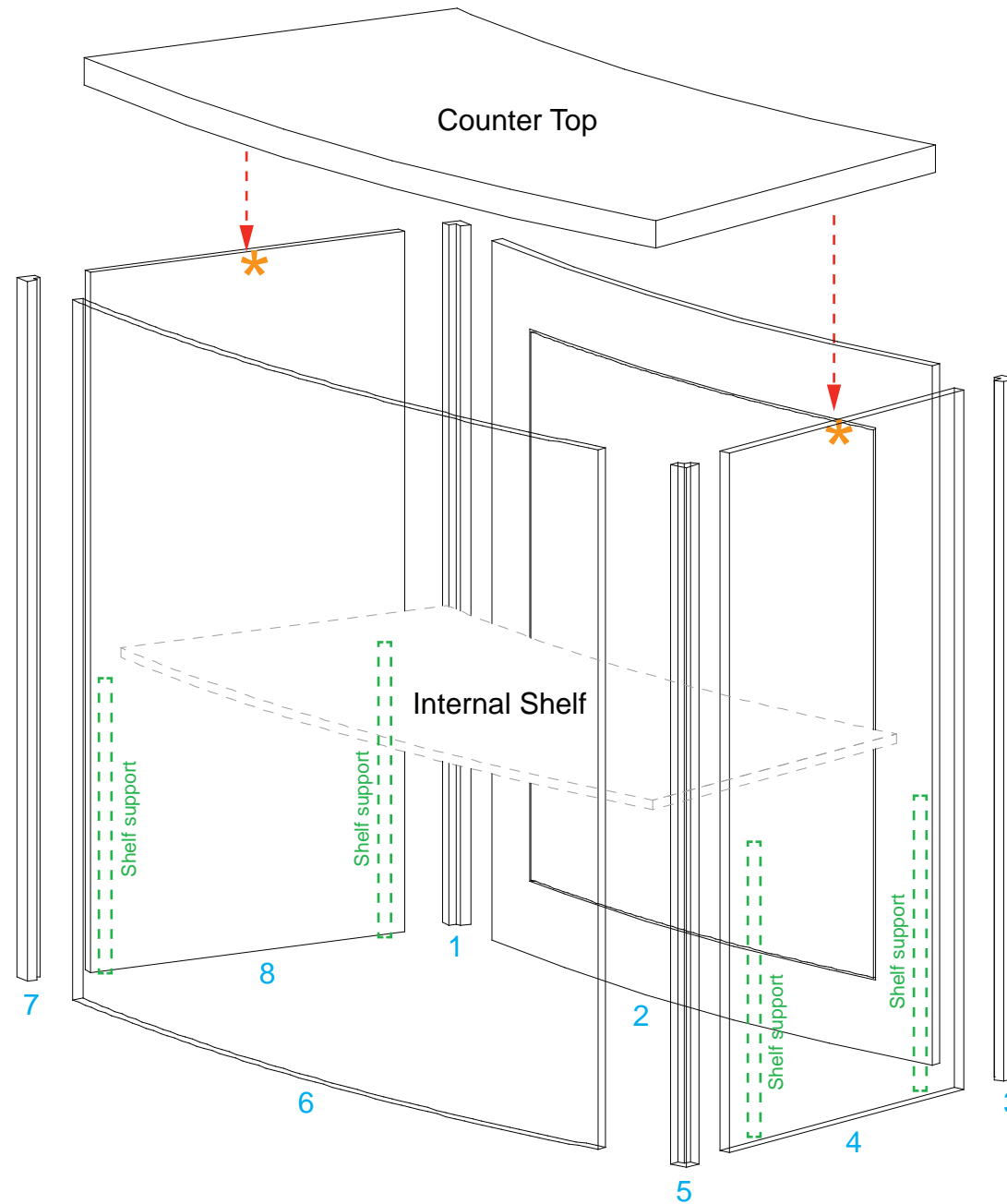
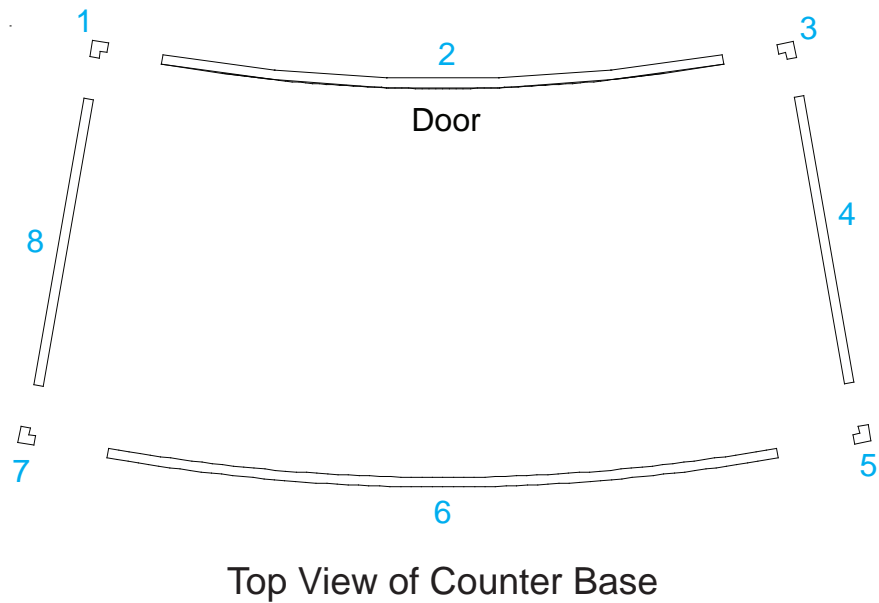


Completed Assembly

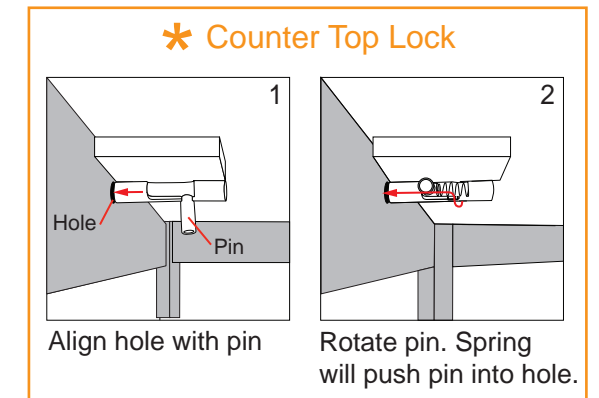


Item	Description
1	38" 90° LT Connector
2	36.9738" x 38" Curved LT Panel w/ Door
3	38" 90° LT Connector
4	19"w x 38"h LT Panel
5	38" 90° LT Connector
6	44.13"w x 38" LT Panel
7	38" 90° LT Connector
8	19"w x 38"h LT Panel

- Steps:
- 1) Assemble LT panels and connectors in numerical order, making sure Velcro is facing inward.
 - 2) Attach shelf supports to Velcro on panels [4] and [8], then place internal shelf on top of supports.
 - 3) Lock counter top to panels [4] and [8]. See Counter Top Lock detail.

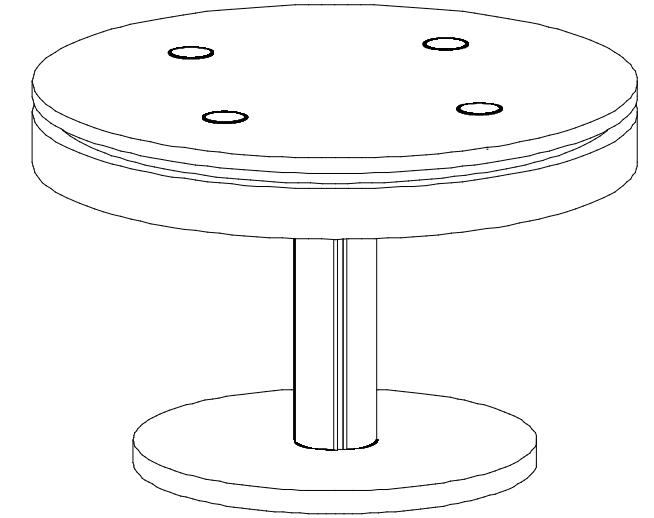
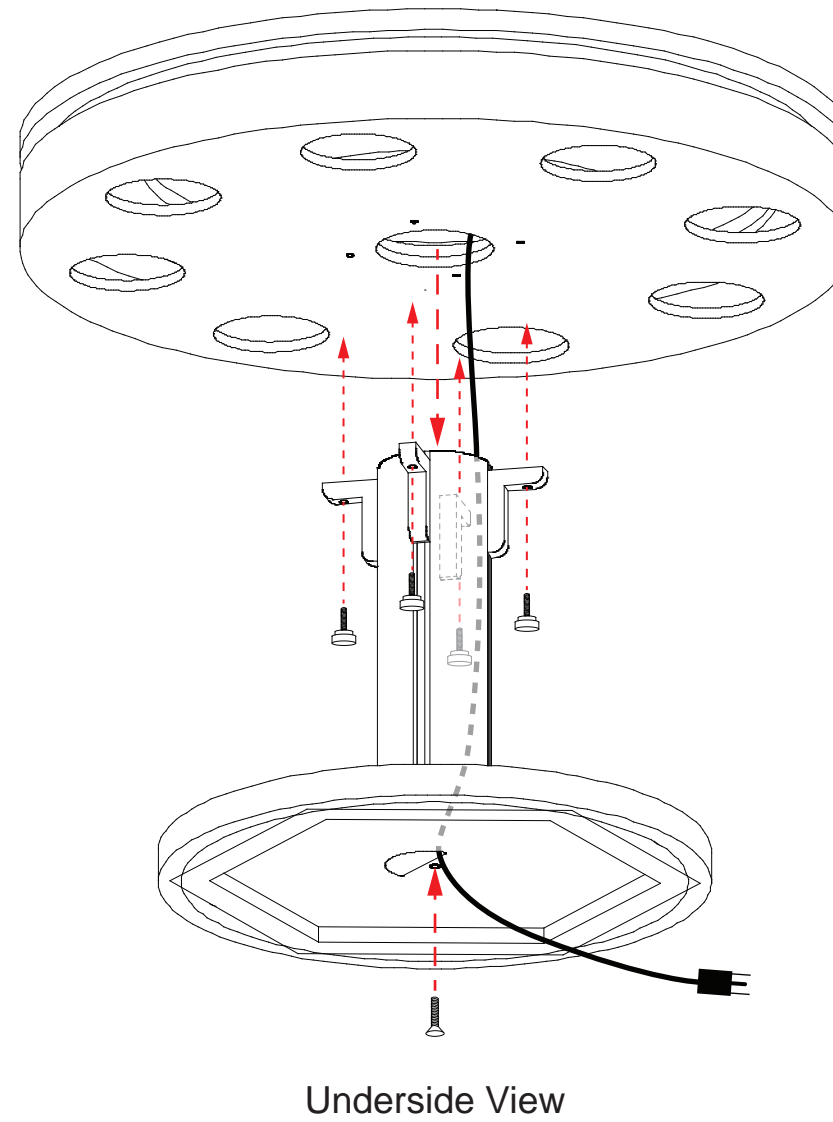
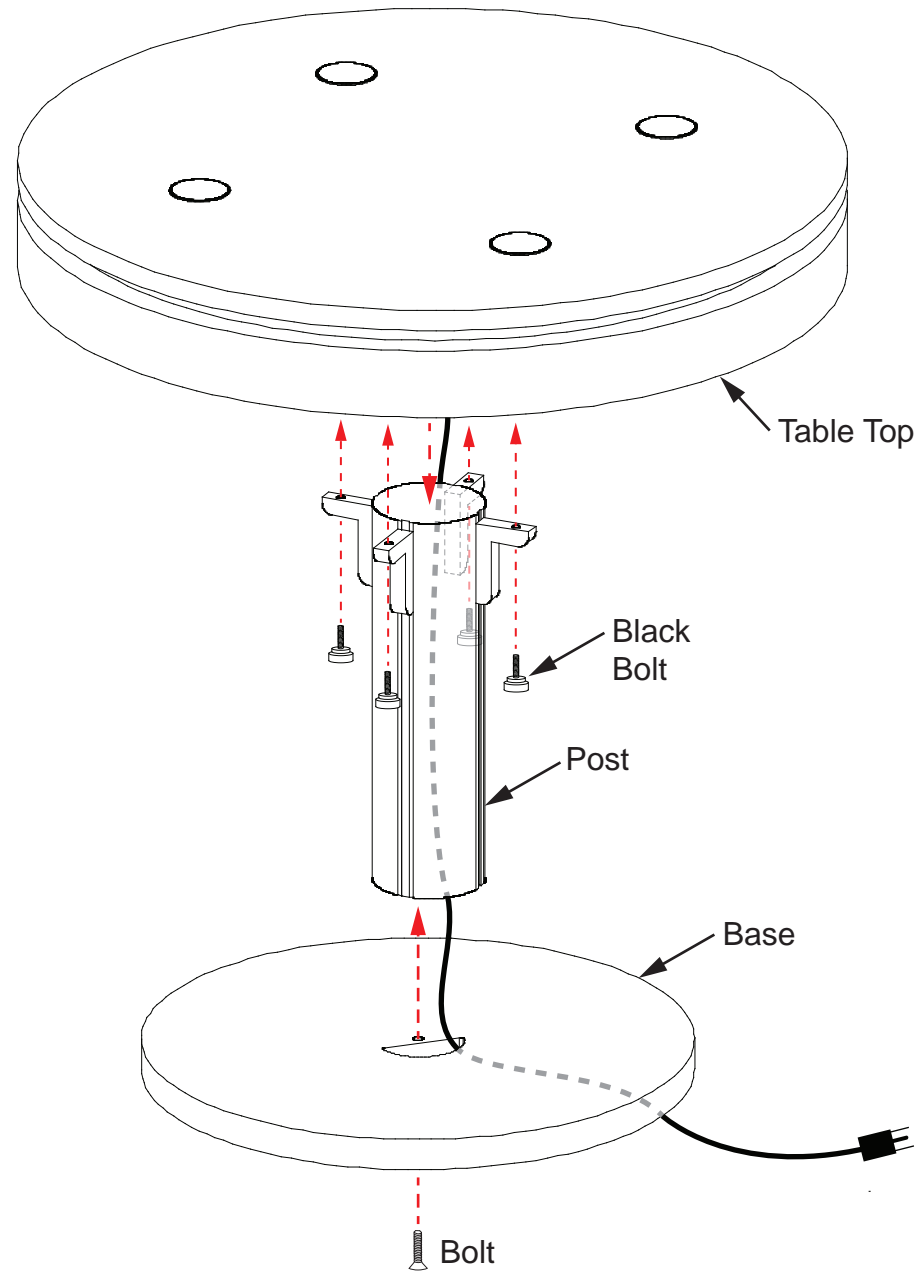


Completed Reception Counter



Steps:

- 1) Connect base to post, using bolt.
- 2) Route cord from table top through post and base.
- 3) Connect table top to post, with fixed brackets, using black bolts.



Completed Assembly